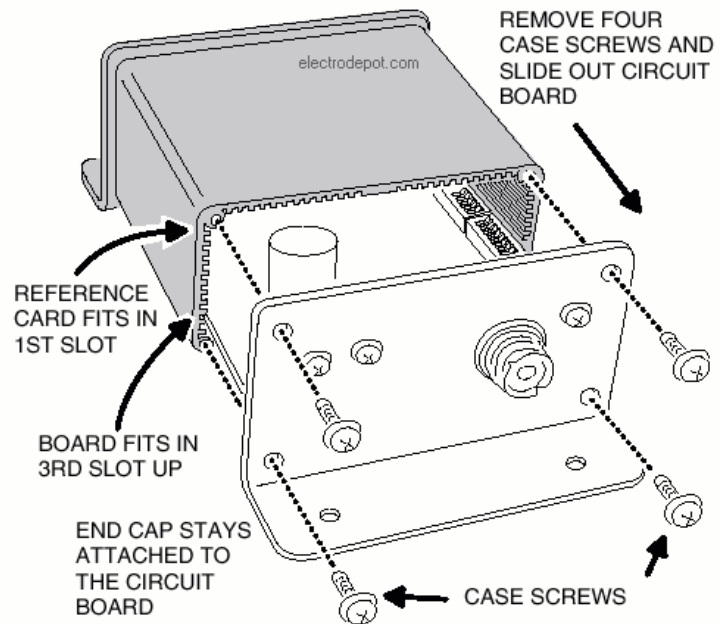


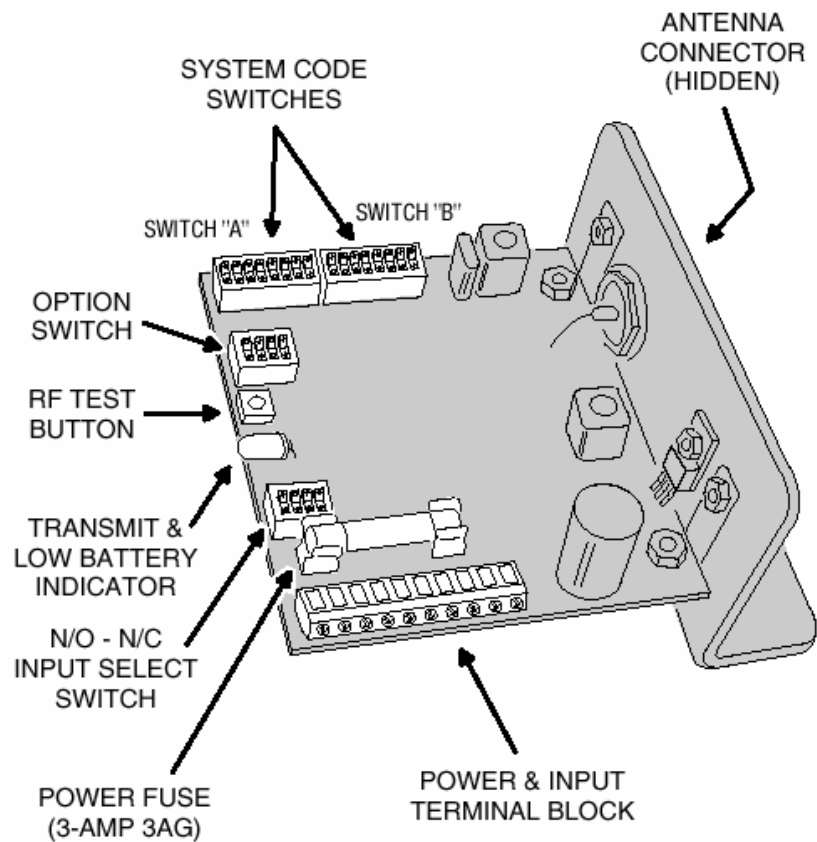
937104 Four channel supervised stationary transmitter

electrodepot.com

OPEN TRANSMITTER



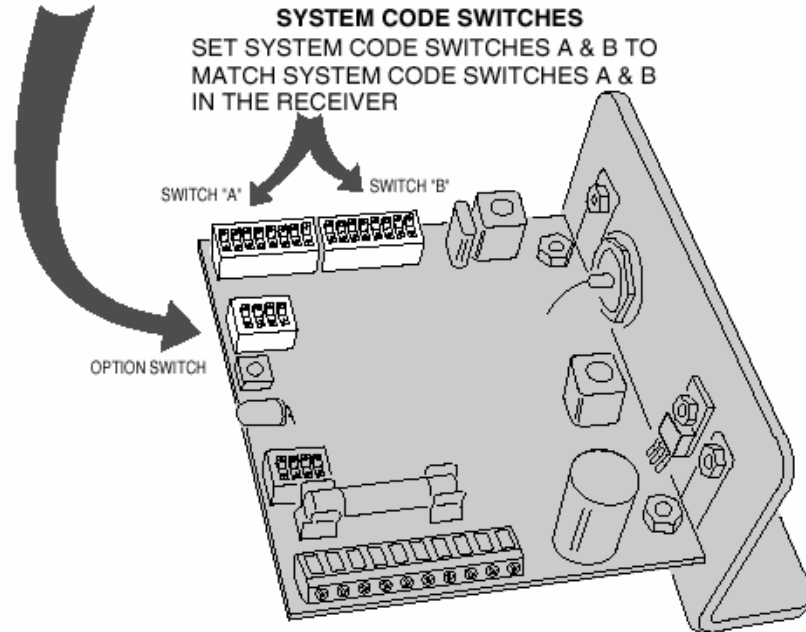
COMPONENT LOCATION



937104 Four channel supervised stationary transmitter electrodepot.com

SET TRANSMITTER

RECEIVER BANK			STATUS REPORTS	
SWITCH 1	SWITCH 2	BANK #	SWITCH 3	
OFF	OFF	1	OFF	NO STATUS REPORTS
ON	OFF	2	ON	STATUS REPORTS
OFF	ON	3		
ON	ON	4		
SET SWITCHES 1 & 2 TO SELECT THE RECEIVER BANK THE TRANSMITTER ACTIVATES (USED ONLY FOR 16 CHANNEL RECEIVER, USE BANK 1 FOR ALL OTHERS)			AUTO RESTORAL	
			SWITCH 4	
			OFF	MANUAL RESTORE
			ON	AUTO RESTORE



CONNECTIONS

SET INPUT SELECT SWITCH TO MATCH INPUT TYPE FOR EACH CHANNEL

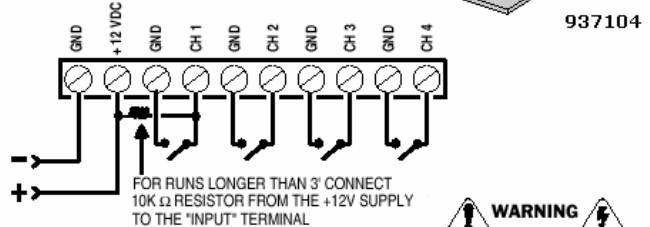
INPUT SELECT SWITCH			
SWITCH #	CHANNEL	OFF =	ON =
SWT 1	CH 1	N/O	N/C
SWT 2	CH 2	N/O	N/C
SWT 3	CH 3	N/O	N/C
SWT 4	CH 4	N/O	N/C

SET SWITCHES 1 - 4 TO SELECT THE NORMAL (NON-VIOLATED) STATE OF THE INPUT TRIGGER DEVICE
 SWITCH OFF = N/O SWITCH ON = N/C

ROUTE WIRES THROUGH CASE STRAIN RELIEF BUSHING BEFORE CONNECTING TO TERMINALS

USE 18-24 AWG WIRE TO CONNECT POWER AND TRIGGER INPUTS

CAUTION: BE SURE WIRE STRANDS DO NOT TOUCH NEARBY FUSE



FROM 12 VDC, 2-AMP REGULATED POWER SOURCE

NOTE: MAXIMUM POWER WIRE RUN 25-FEET WITH 18 AWG WIRE

WARNING
 THIS UNIT REQUIRES 12 VDC AT 2 AMPS. THE NO-LOAD VOLTAGE OF THE SUPPLY MUST NOT EXCEED 17.5 VDC OR DAMAGE TO THE UNIT WILL OCCUR!